

Lumber Melamine Hardwood Plywood Architectural Panels Colored Caulk Particle Board Exotic Lumber MDF Veneer Moulding Laminates Hardware Edgeband Adhesives Bendable Panels Lumber Melamine Hardwood Plywood

# HARDWARE



Architectural Panels Colored Caulk Particle Board Exotic Lumber MDF Veneer Moulding Laminates Hardware Edgeband Adhesives Bendable Panels Lumber Melamine Hardwood Plywood

# Quality Hardware for Every Construction Need

Our top-notch line of hinges and drawer slides offers easy assembly, exceptional design options and superior performance. We feature Ferrari hinges and slides, with technically advanced, easy-to-operate mechanisms, adding quality to every cabinet drawer and fixture in your project. Ferrari hardware is manufactured under stringent quality guidelines and is UNI EN ISO 9001 certified. The following are included in our stock items:

- Anyway Clip-On Hinges
- Harmony Soft-Close Hinges
- Compacta Hinge System
- Karma Soft-Close Damper
- Klok Overhead Hinge
- Ball Bearing Slides
- White Epoxy Slides
- Under mount Slides
- The Ferrari Pneumatic Hinge Drilling and Inserting Machine

Please call your local distribution center for more information about additional hardware products stocked.



[www.ferrariamerica.com](http://www.ferrariamerica.com)

## FERRARI® HINGES

### Anyway Clip-On Concealed Hinge

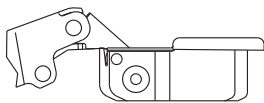


The Anyway Clip-On is an automatic or manual door adjustment hinge system. It has a particularly easy and safe release system that allows the hinge and plate to be attached from a variety of angles, rather than just one. This characteristic permits maximum ease in mounting, even on large doors where multiple hinges are required.

#### Features:

- Quality European Ferrari® hinges are made in Italy and manufactured according to UNI EN ISO quality standards.
- All-metal hinge is plated with a durable nickel finish.
- Reversible mounting plate allows for faster door installation.
- Three-way adjustment allows for vertical (+ / - 1.5 mm), lateral (+ 0.5 / - 4 mm) and horizontal (+2.5 / -0.5 mm) continuous and uniform adjustment.

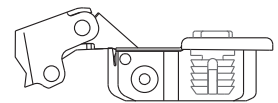
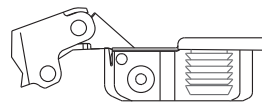
The Ferrari hinge systems are available with three installation options: wood screws, knock-in dowels, or speed expansion dowels, as shown.



(1) Wood screw



(2) Knock-in dowels for 8 mm holes



(3) Speed expansion dowel

#### Hinge Types:

Screw-In	This hinge is an economical hinge that is perfect for the small cabinet maker. It requires only the 35mm cup hole to be pre-drilled and is secured by applying the screws directly into the door as needed.
Knock-In	This hinge is used with a pneumatic boring machine to quickly and securely set the hinge into the pre-drilled pattern.
Speed	This hinge presents an elegant fast assembly system. The hinge cup is dropped into the pre-drilled holes and is secured by turning the socket screws which immovably fastens the hinge into position.

## Mounting Plates

Mounting plates are symmetrical and completely reversible.



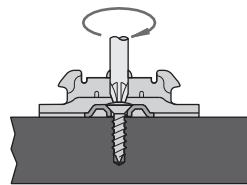
## Release Clips

Absolute safety against accidental release is assured with the WS clip system.

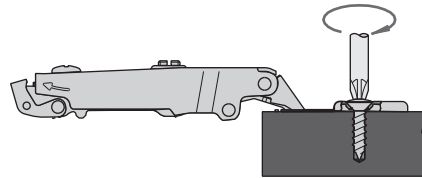


## Mounting

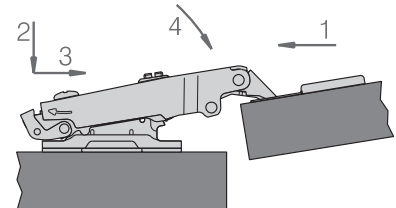
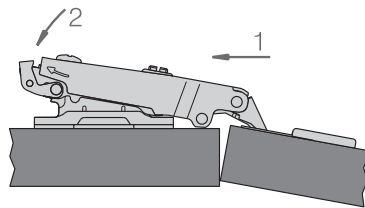
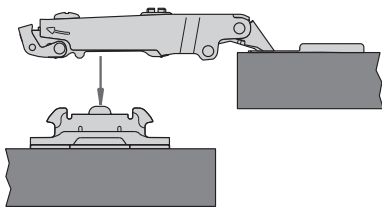
1. Fix the mounting plate to the cabinet side.



2. Insert hinge on the door drilling and fix.

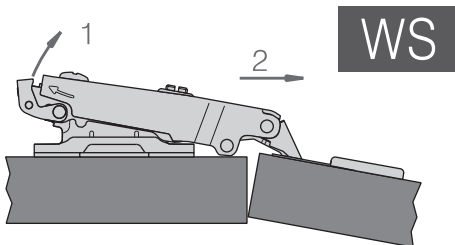


3. Mount the door on the cabinet. The hinge can be clipped in any position.



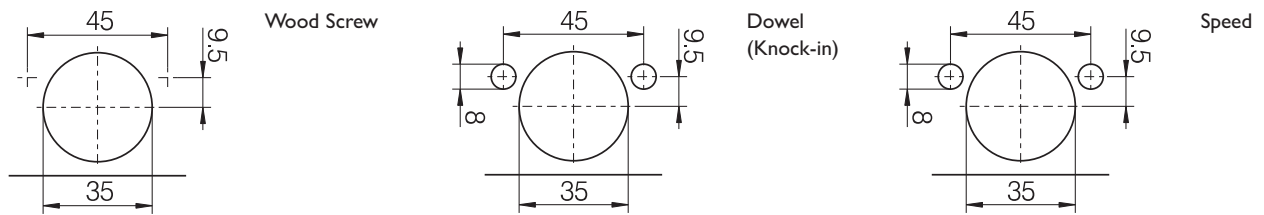
## Demounting

WS – Unclip the hinge with your finger pulling upward (1). Extract the hinge (2).

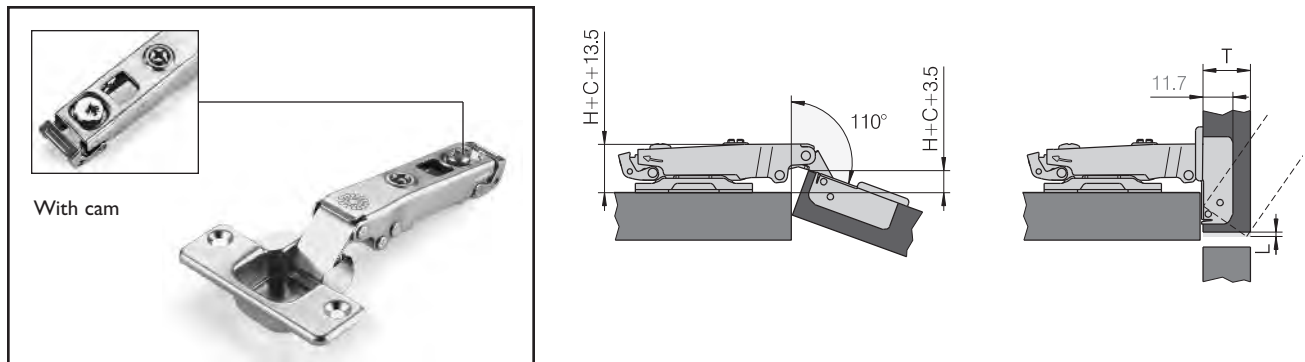


## Drilling Patterns

Industry standard 35 mm cup size and 45 mm hole drilling patterns allow interchangeability on most existing cabinet installations.

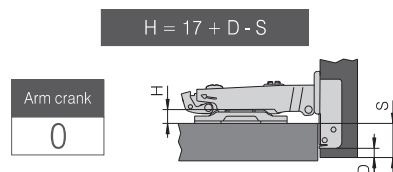


## Anyway Clip-On 110° Concealed Hinge with Front-Adjusting Cam

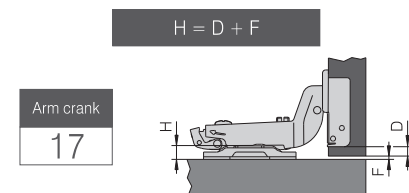


Item #	Overlay	Crank	Cup Mount	Case Quantity
H91081A	Full	0 mm	Dowel	100
H91081C	Insert	17 mm	Dowel	100
H91079A	Full	0 mm	Screw-on	100
H91079C	Insert	17 mm	Screw-on	100
H91619A	Full	0 mm	Speed	100
H91619C	Insert	17 mm	Speed	100

D = Cup drilling distance
S = Overlay
F = Gap
H = Mounting plate height



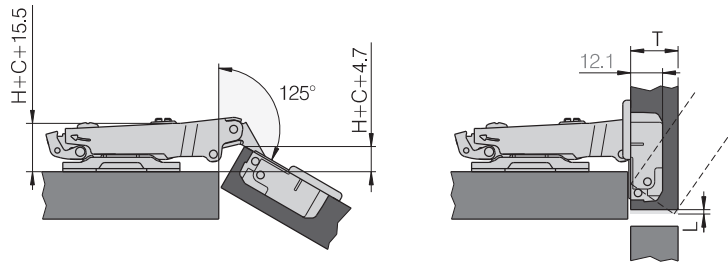
Full Overlay



Inset

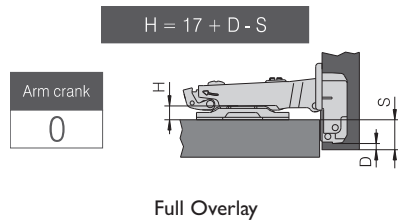
Minimum Reveal "L"	Door thickness "T"									
	16	17	18	19	20	21	22	23		
Cup drilling distance "D"	3	0.6	0.9	1.2	1.5	1.9	3.0	4.5	5.6	L
	4	0.6	0.8	1.1	1.4	1.8	2.2	3.5	4.6	L
	5	0.6	0.8	1.0	1.4	1.7	2.1	2.5	3.6	L

## Anyway Clip-On 125° Concealed Hinge with Front-Adjusting Cam



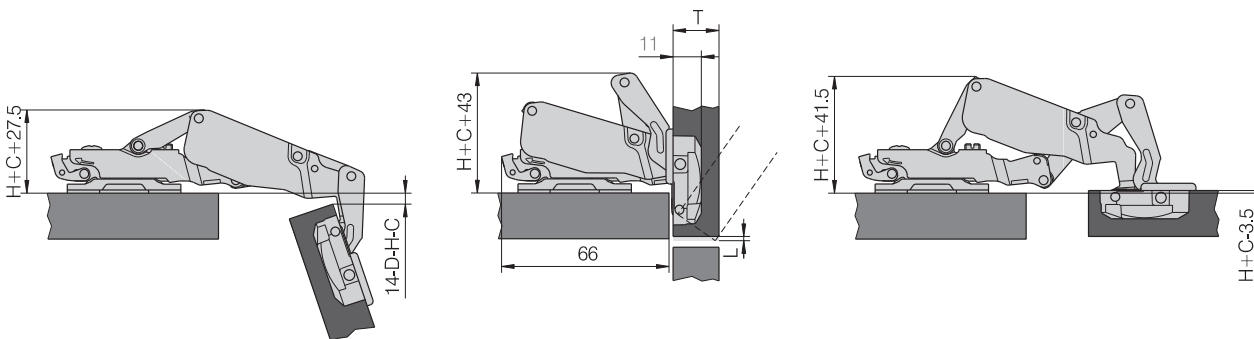
Item #	Overlay	Crank	Cup Mount	Case Quantity
H41830A	Full	0 mm	Dowel	100
H41811A	Full	0 mm	Screw-on	100
H41816A	Full	0 mm	Speed	100

D = Cup drilling distance
S = Overlay
F = Gap
H = Mounting plate height



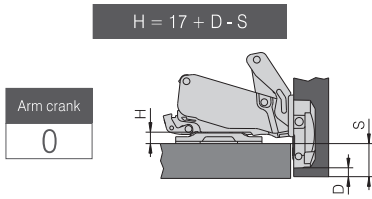
Minimum Reveal "L"	Door thickness "T"								
	16	17	18	19	20	21	22		
Cup drilling distance "D"	3	1.0	1.4	2.4	4.2	5.9	7.6	9.4	L
	4	1.0	1.3	1.7	3.2	4.9	6.6	8.4	L
	5	1.0	1.3	1.6	2.2	3.9	5.6	7.4	L

## Anyway Clip-On 170° Concealed Hinge, Large One with Zero Protrusion



Item #	Overlay	Crank	Cup Mount	Case Quantity
C90301A	Full	0 mm	Dowel	50
C90300A	Full	0 mm	Screw-on	50
C90422A	Full	0 mm	Speed	50

D = Cup drilling distance
S = Overlay
F = Gap
H = Mounting plate height

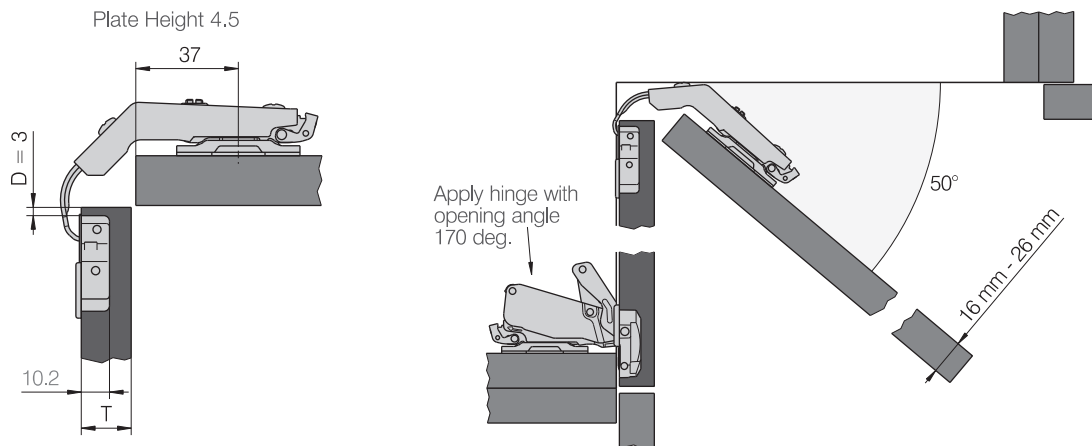


Full Overlay

Minimum Reveal "L"	Door thickness "T"									
	16	17	18	19	20	21	22	23	24	
Cup drilling distance "D"	3	0.1	1.0	1.9	2.9	3.9	4.8	5.8	6.8	7.8
	4	0.0	0.0	1.1	1.7	2.7	3.7	4.7	5.7	6.6
	5	0.0	0.0	0.0	0.6	1.6	2.6	3.6	4.6	5.6
	6	0.0	0.0	0.0	0.0	0.7	2.2	2.6	3.6	4.6
	7	0.0	0.0	0.0	0.0	0.0	0.8	1.8	2.8	3.8

## Anyway Clip-On Bi-Fold Corner Concealed Hinge for Corner Bi-fold Cabinet Doors and Lazy Susans

The bi-fold door hinge is designed to use with 170° hinges. The spring-activated system works as well in the closed position as the maximum opening position. This hinge allows a maximum opening of 50° for the second door, allowing the opening of the door, even when placed next to an adjacent structure.



Item #	Cup Mount	Case Quantity
C90730G	Screw-on	50

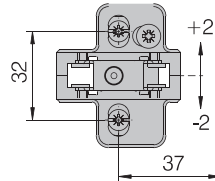
## MOUNTING PLATES

Anyway Clip-On metal mounting plates are designed as a completely symmetrical, reversible plate. This design feature allows for faster door installation, and easier height adjustment, particularly on tall doors that require more than two hinges. These innovative plates allow attachment of the hinge to the mounting plate from virtually any angle.

### Anyway Clip-On Steel Cam Mounting Plate for Hinge Attachment to Frameless Cabinet



37x32



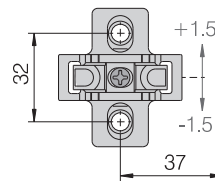
Item #	Height	Attachment	Case Quantity
B4002MG45B1	4.5 mm	Pre-mounted Euroscrews	250
B4002MG60B1	6 mm	Pre-mounted Euroscrews	250
B4402MG45G2	4.5 mm	Pre-mounted Woodscrews	250
B4402MG60G2	6 mm	Pre-mounted Woodscrews	250
M = Metal	Z = Die-cast	G = Copper-plated nickel	R = Zinc plated

### Anyway Clip-On Zink Cam Mounting Plate for Hinge Attachment to Frameless Cabinet



37x32

Patented cam adjustment allows for +1.5 / -1.5 mm vertical adjustment

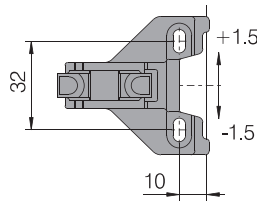


Item #	Height	Attachment	Case Quantity
B2150ZG35	3.5 mm	System Screw or # 7 wood screw	250
B2150ZG60	6 mm	System Screw or # 7 wood screw	250
M = Metal	Z = Die-cast	G = Copper-plated nickel	R = Zinc plated

## Anyway Clip-On Steel Wing Cam Plate for Hinge Attachment to Face-Frame Cabinet



10x32



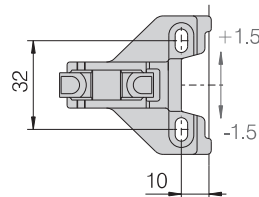
Item #	Height	Attachment	Case Quantity
B2980MG45N	4.5 mm	Woodscrew	200
B2980MG80N	8.0 mm	Woodscrew	200
M = Metal	Z = Die-cast	G = Copper-plated nickel	R = Zinc plated

## Anyway Clip-On Zink Wing Plate for Hinge Attachment to Face-Frame Cabinet



10x32

Designed for face-frame cabinet construction

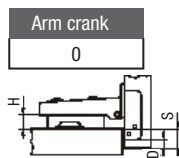


Item #	Height	Attachment	Case Quantity
B0780ZG45N	4.5 mm	Screw-on	250
B0780ZG80N	8 mm	Screw-on	250
M = Metal	Z = Die-cast	G = Copper-plated nickel	R = Zinc plated

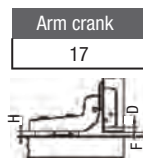
## Harmony Soft-Close 110° Hinge with Integrated Damper



Item#	Overlay	Crank	Cup Mount	Case Quantity
EJ20079AGG	Full	0	Screw-on	200
EJ20079CGG	Insert	17	Screw-on	200
EJ21081AGG	Full	0	Dowel	200
EJ21081CGG	Insert	17	Dowel	200



H = 14 + D - S		3	4	5	6	7
H	D	3	4	5	6	7
0		17	18	19	20	21
2		15	16	17	18	19
4		13	14	15	16	17



H = -4 + D + F		3	4	5	6	7
H	D	3	4	5	6	7
0		1	0	-1	-2	-3
2		3	2	1	0	-1
4		5	4	3	2	1

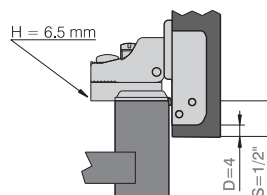
D = Cup drilling distance
S = Overlay
F = Gap
H = Mounting plate height

## Compacta 51 Concealed Hinge System

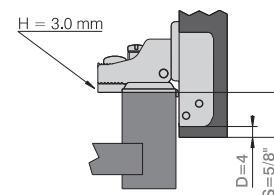
The Compacta Series 51 is a European-style, six-way adjustable slide-on hinge. Compacta 51 can be used on face-frame or full European-style constructions.

### Compacta 51 - 110° Concealed Hinge

Available with standard dowel or wood screw attachment and 9.5 x 32 fixing plate.



Half-inch Overlay

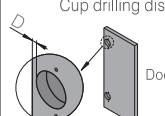


Five-eighths-inch Overlay

Item #	Overlay	Cup Mount	Case Quantity
ES51081BGG	1/2"	Dowel	200
ES51079BGG	1/2"	Screw-on	200
ES51081CGG	5/8"	Dowel	200
ES51079CGG	5/8"	Screw-on	200

D = Cup drilling distance
S = Overlay
F = Gap
H = Mounting plate height

Minimum Reveal "L"	Door thickness "T"									
	16	17	18	19	20	21	22	23		
Cup drilling distance "D"	3	0.6	0.9	1.2	1.5	1.9	3.0	4.5	5.6	L
	4	0.6	0.9	1.1	1.4	1.8	2.2	3.5	4.6	L
	5	0.6	0.8	1.0	1.4	1.7	2.1	2.5	3.6	L



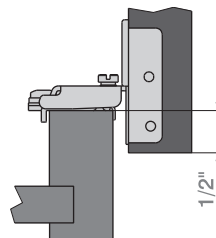
## Compacta Series 64 Concealed Hinge System

The Compacta Series 64 is a European-style, six-way adjustable hinge designed for small overlays. It's a self-closing (spring), one-piece, all metal, zinc-plated hinge. Compacta 64 can easily be converted to a soft-close hinge system using the Karma mechanism.

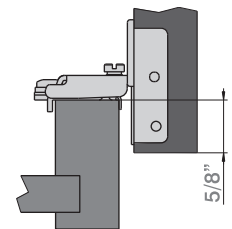
### Compacta Series 64 - 105° Face-Frame One-Piece Concealed Hinge

#### Features:

- Vertical adjustment + / - 3.5 mm through oval slot
- Continuous overlay adjustment + / - 1.5 mm
- Continuous front adjustment + / - 1.5 mm with dowel
- Industry standard 35 mm cup size and 45 mm hole drilling patterns allow interchangeability on most existing cabinet installations
- Four-tab baseplate design for exact, easy alignment



Half-inch Overlay



Five-eighths-inch Overlay

Item #	Overlay	Cup Mount	Case Quantity
ET647142	1/2"	Dowel	100
ET647112	1/2"	Screw-on	100
C607622	1/2"	Speed	100
ET647143	5/8"	Dowel	100
ET647113	5/8"	Screw-on	100
C607623	5/8"	Speed	100

## Karma Soft-Close Damper

Karma soft-close dampers can be attached to all 64 series hinge systems.



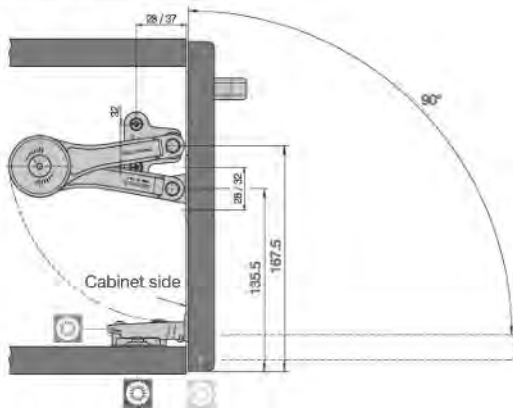
Item#	Description
DMF3G-64	Soft-close mechanism for ET64 series hinges

## Klok Overhead Hinge

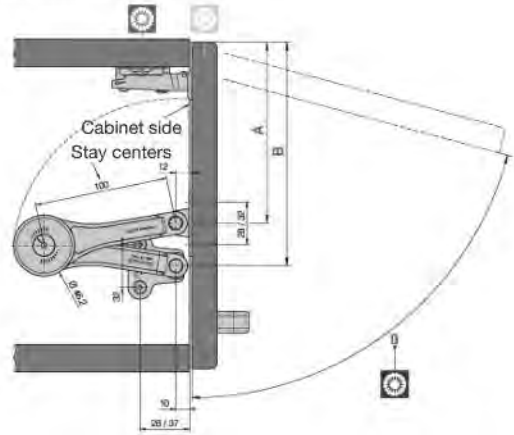
The Klok overhead hinge is designed for doors with vertical openings. KOLK Kit LEFGC00K276 is reversible from a flip-up to a flip-down application.



Klok - Brake in opening



Klok - Brake in opening



Range available	Klok	
	Brake in closing	Brake in opening
With fixing brackets supplied separately		
With riveted fixing brackets		

Item #	Description	Size	Case Quantity
LEFGC00K276	Universal mechanism for flip-up/flip-down applications	Klok	100
LPIGC511	RH mechanism for flip-up applications	XL Klok	100
LPIGC521	RH mechanism for flip-up applications	XL Klok	100

# DRAWER SLIDES

## Ball Bearing H 45 Slides

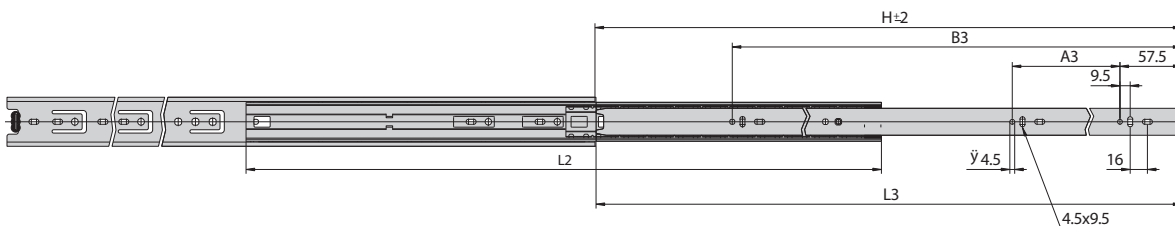
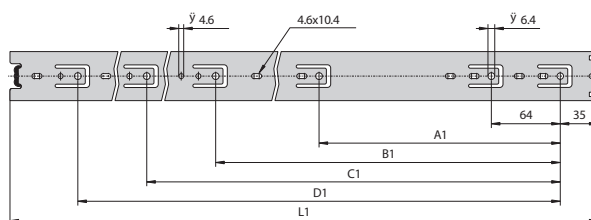
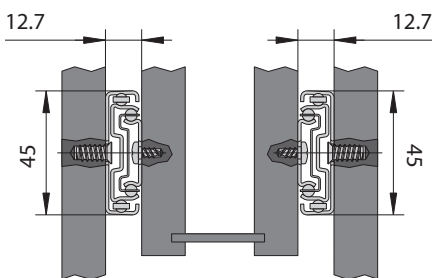


Features:

- Separable cabinet profiles and drawer profiles for mounting
- Full extension, guiding double tracks, stop in opening
- Load capacity up to 100 lbs. per set



Item #	Drawer Length – Inches	Drawer Length – mm	Sets per Box
BB250F45RI	10"	250 mm (251 mm)	15
BB300F45RI	12"	300 mm (301 mm)	15
BB350F45RI	14"	350 mm (352 mm)	15
BB400F45RI	16"	400 mm (402 mm)	15
BB450F45RI	18"	450 mm (453 mm)	15
BB500F45RI	20"	500 mm (504 mm)	15
BB550F45RI	22"	550 mm (555 mm)	15
BB600F45RI	24"	600 mm (606 mm)	15
BB650F45RI	26"	650 mm (656 mm)	15
G031C/R	Rear Metal Bracket		

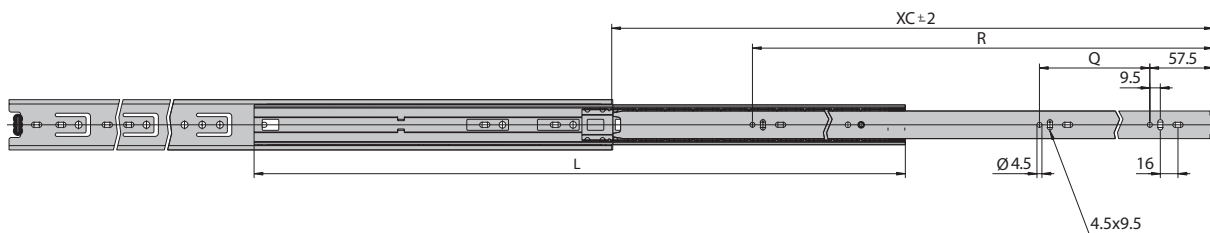
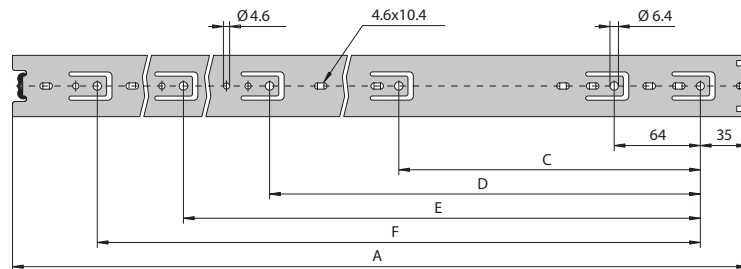
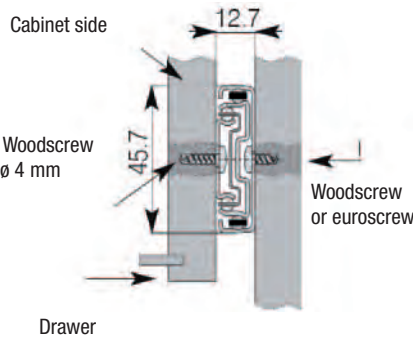


## Ball Bearing Soft-Close Slides

- Mounting on drawer sides
- Separable cabinet and drawer profiles for mounting
- Guiding double tracks, stop in opening
- Load capacity 100 lb. per set



Item#	Drawer Length – inches	Drawer Length – mm	Sets per Box
BBD014F45SR	14"	350 mm (355 mm)	15
BBD014F45SRI	16"	400 mm (406 mm)	15
BBD014F45SRI	18"	450 mm (457 mm)	15
BBD014F45SRI	20"	500 mm (508 mm)	15
BBD014F45SRI	22"	550 mm (559 mm)	15
BBD014F45SRI	24"	600 mm (610 mm)	15
BBD014F45SRI	26"	650 mm (660 mm)	15
BBD014F45SRI	28"	700 mm (700 mm)	15



## White Epoxy Self-Closing Slides

The Eco slide system is an economical, self-closing slide system with a white epoxy coating.

### Features:

- Double stop
- Thickness, 1 and 1.2 mm
- Lengths available from 250 to 600 mm
- Load capacity up to 55 lbs. per set

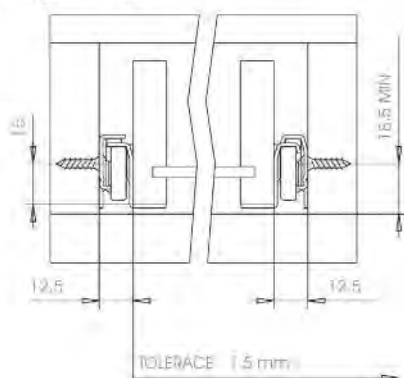


Item #	Drawer Length – Inches	Drawer Length – mm	Sets per Box
GS250LVQP2	10"	250 mm (254 mm)	20
GS300LVQP2	12"	300 mm (305 mm)	20
GS350LVQP2	14"	350 mm (355 mm)	20
GS400LVQP2	16"	400 mm (406 mm)	20
GS450LVQP2	18"	450 mm (457 mm)	20
GS500LVQP2	20"	500 mm (508 mm)	20
GS550LVQP2	22"	550 mm (559 mm)	20
GS600LVQP2	24"	600 mm (610 mm)	20
G302-02	One-Piece Left Rear Mount Socket		100
G302-03	One-Piece Right Rear Mount Socket		100

### Fixing Systems



### Mounting instructions

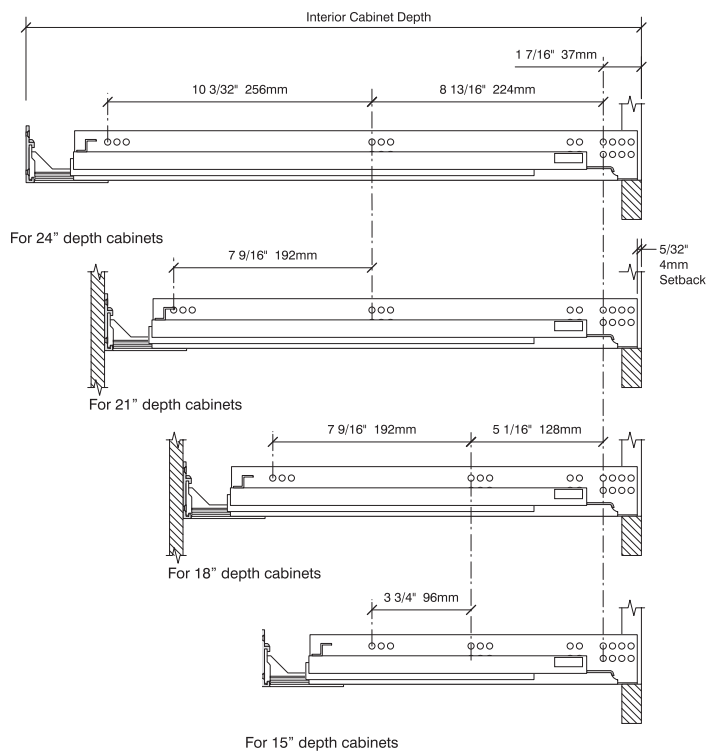


## Undermount Soft-Close Concealed Drawer Slides

- Self closing with soft-close dampening
- Full extension
- For 5/8" maximum drawer side thickness
- 75 lb. dynamic capacity



Item #	Description	Drawer Length – Inches	mm	Sets per Box
HCBAF305V6	w/front locking device	12"	305 mm	6
HCBAF381V6	w/front locking device	15"	381 mm	6
HCBAF457V6	w/front locking device	18"	457 mm	6
HCBAF533V6	w/front locking device	21"	537 mm	6
HRBDX	Rear-mount socket/right			400
HRBSX	Rear-mount socket/left			400
G280	Adjustable rear-mount socket/universal			400



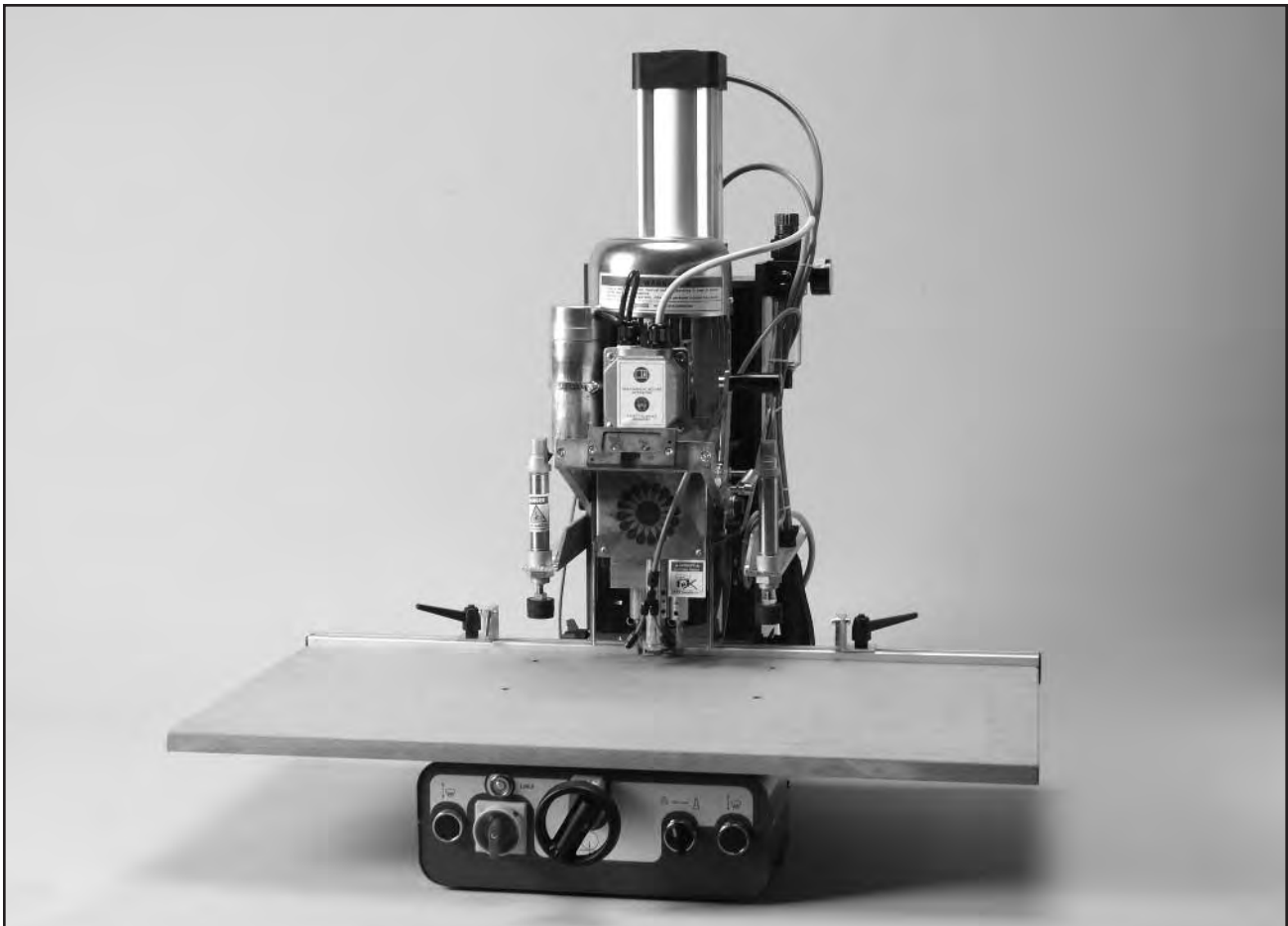
## Ferrari Pneumatic Hinge Drilling and Inserting Machine

The RC Series from Ferrari America is the fast, affordable and easy-to-use solution that provides increased productivity in small- to medium-sized cabinet shops for installing European-style concealed hinges.

Designed for precision, the RC Series automatically drills the three-hole boring pattern required for Ferrari hinges, and then efficiently and securely inserts the hinge into the working piece.

### Features:

- Backstop door alignment fence
- Pneumatic hold-down clamps for door
- Quick, simple, safe controls
- 3-spindle drilling head unit
- Adjustable stops
- Dowel bits:  $\varnothing$  8 mm,  $\varnothing$  10 mm
- Cup bit:  $\varnothing$  35mm
- Available motors: 110v~ 1-Phase  
220v~ 1-Phase  
220v~ 3-Phase  
220/440v~ 3-Phase



# Six Distribution Centers Serving the Southeast

We are committed to being your natural resource for hardwood lumber, plywood, veneers and a variety of quality cabinet supplies. As an industry leader, we continually upgrade our services and equipment to ensure on-time delivery for every order and the broadest possible offering of remanufacturing services. Six strategic locations throughout the Southeast allow us to provide top-notch service combined with competitively priced products.

Our premium hardwood is air-dried under sheds to guarantee flat, bright lumber. Covered air-drying sheds, computerized kiln controls, variable-speed fans, equalizing and conditioning ensure a consistent, high-quality product.

State-of-the-art computerized systems ensure that inventory is up-to-date and the highest quality standards are maintained in every process, from kiln drying to custom sorting. Please contact one of our six distribution centers for detailed information about product availability, custom orders and lead-times for specialty products.



Members of the Georgia Chapter of the Architectural Woodwork Institute (AWI), Wood Components Manufacturer's Association (WCMA), National Hardwood Lumber Association (NHHLA), the North American Building Material Distribution Association (NBMDA), and the Hardwood Distributors Association (HDA).





**Atlanta Location**

800-964-7804

404-792-0910

**Birmingham**

**Location**

800-467-4160

205-664-0224

**North Georgia**

**Location**

800-421-9686

706-865-4808

**Central Georgia**

**Location**

800-994-2972

706-494-0350

**Clarksville Tennessee**

**Location**

877-989-9663

931-802-2534

**Memphis Tennessee**

**Location**

800-474-4039

901-457-3000

[www.hardwoodweb.com](http://www.hardwoodweb.com)

© June 2010. All rights reserved.

All rights are reserved for the individual owners of registered trade marks and trademarks as indicated.